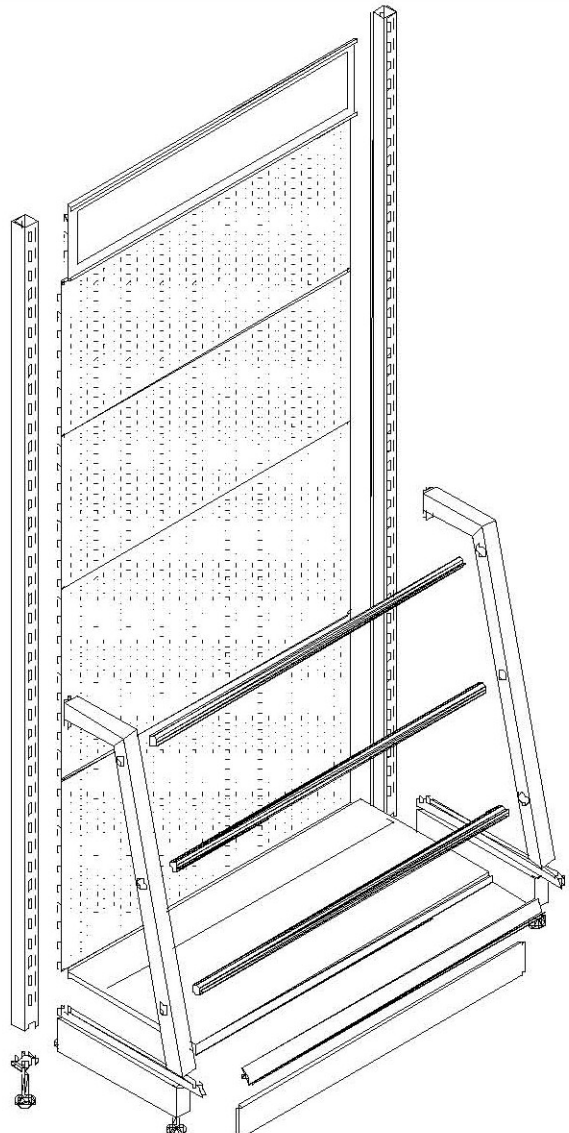
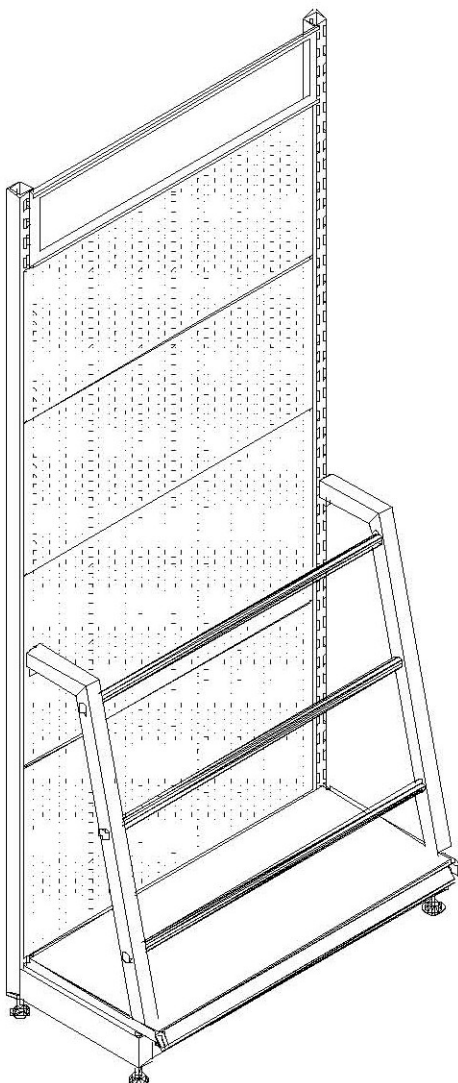


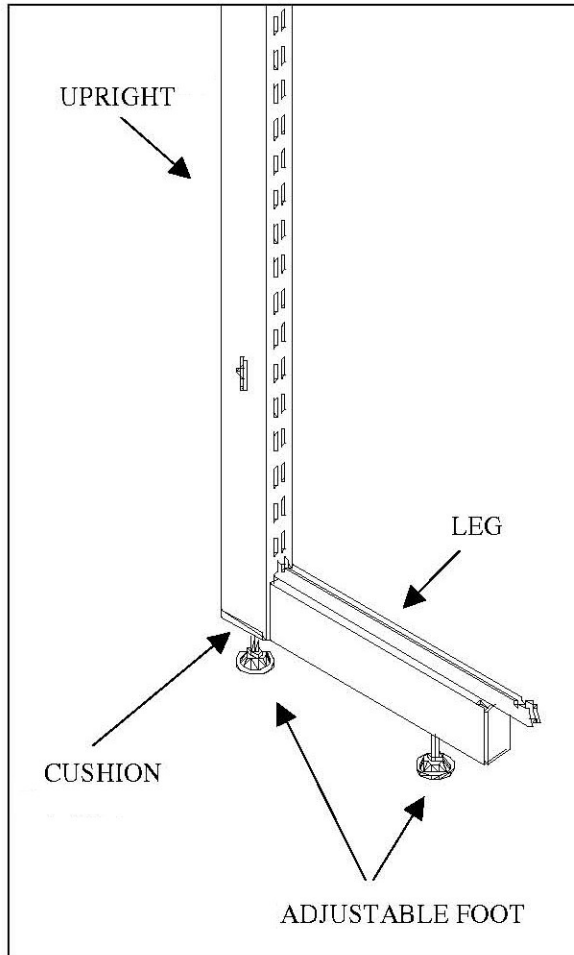
# Model No.:Z300 Display Stand



# Model No.:Z300 Display Stand

## INSTRUCTION FOR UPRIGHT POST & LEG FABRICATION

### PARTS



### PROCEDURES

**STEP 1.** TO LINK UPRIGHT POST & LEG

**STEP 2.** TO FIX THE CUSHION UPWARD  
(BY USING HAMMER IN ORDER TO  
JOIN THE UPRIGHT POST & LEG)

**STEP 3.** TO FIX THE 2 ADJUSTABLE  
FOOT INTO THE LEG

